

StationBox[®] XL

CARRIER CLASS

ALUMINIUM CPE OUTDOOR ENCLOSURE

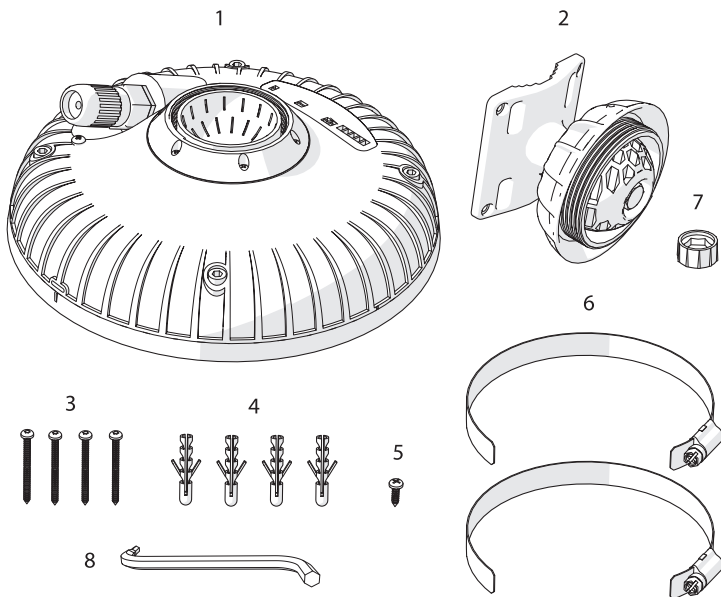


StationBox® XL

CARRIER CLASS

1

Package Contents

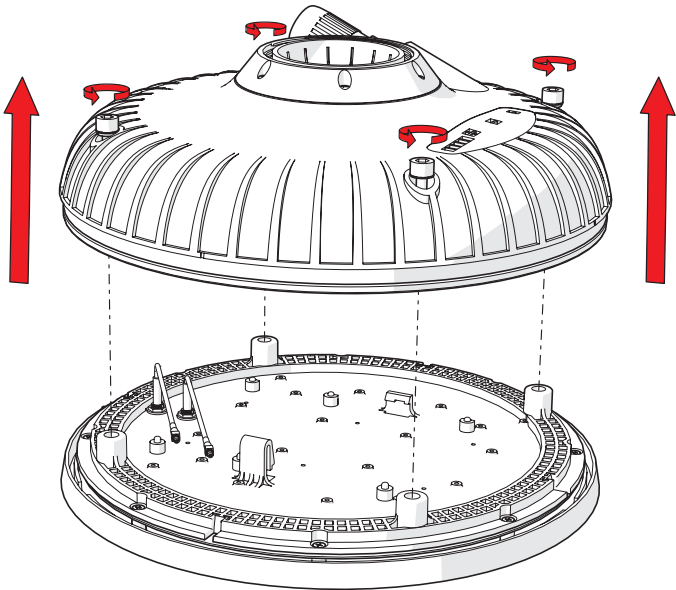


Number	Description	Quantity
1	SBX XL CC Body	1x
2	SBX XL CC Bracket	1x
3	3,5 x 45mm Screw	4x
4	Wall Plug	4x
5	2,2 x 19 Screw	1x
6	Hose Clamp	2x
7	Rubber insert	1x
8	Allen Key 3 - 5mm	1x

StationBox® XL

CARRIER CLASS

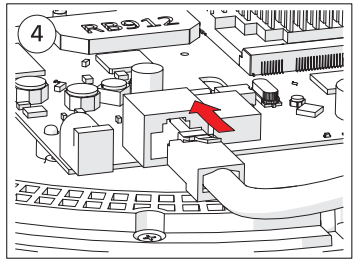
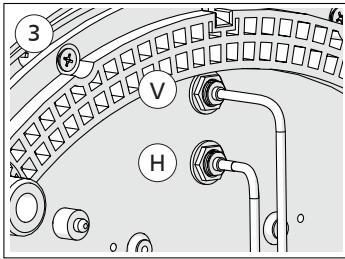
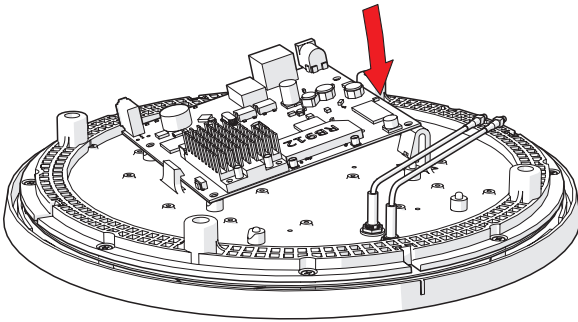
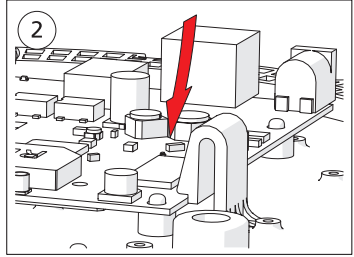
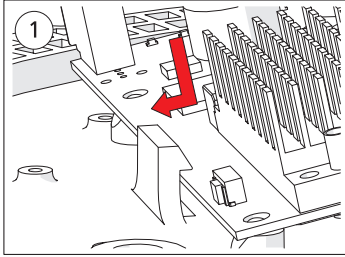
Installation Guide



StationBox® XL

CARRIER CLASS

Installation Guide

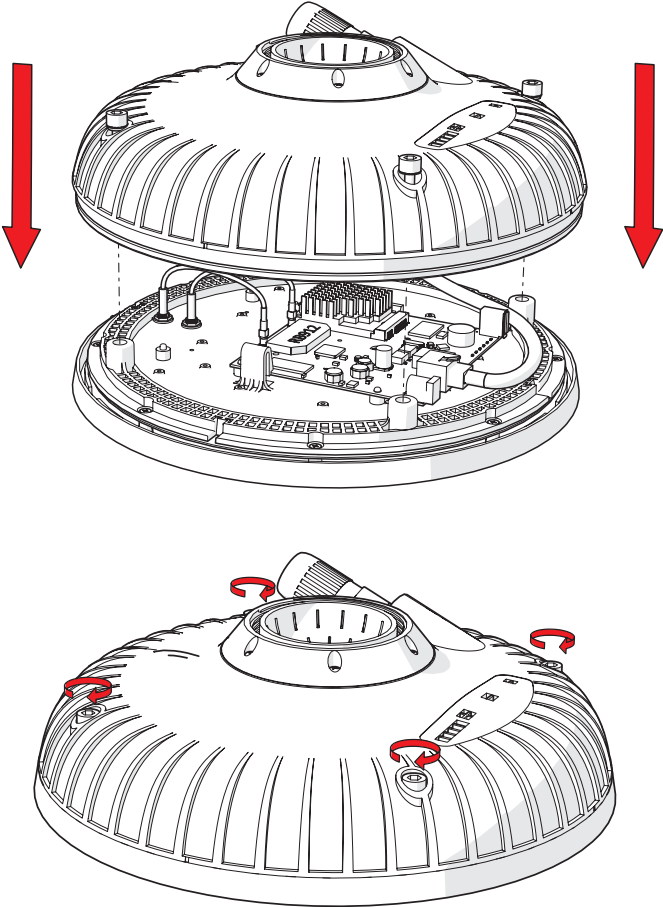


V - vertical polarization
H - horizontal polarization

StationBox® XL

CARRIER CLASS

Installation Guide

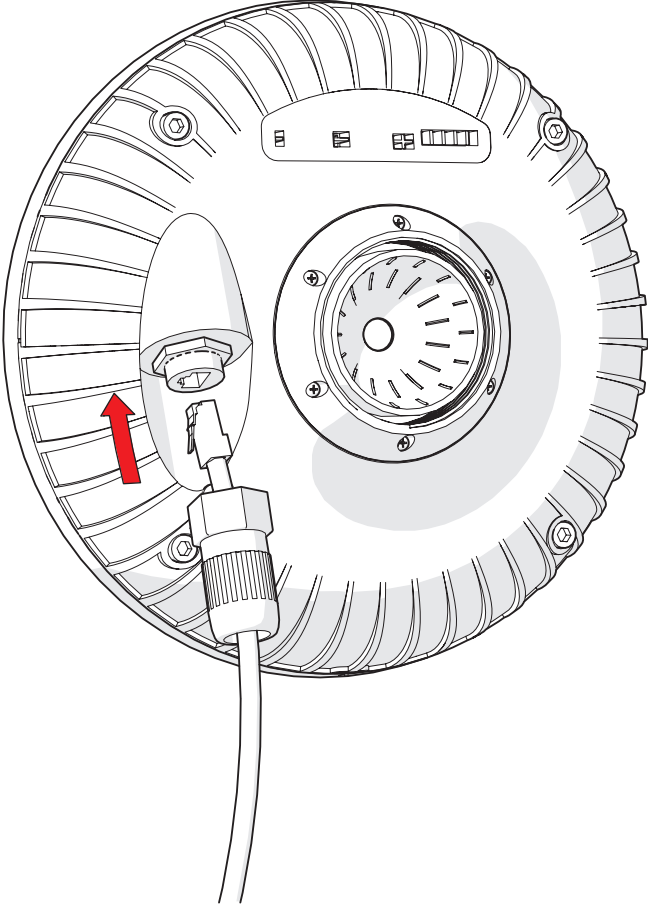


StationBox® XL

CARRIER CLASS

5

Installation Guide

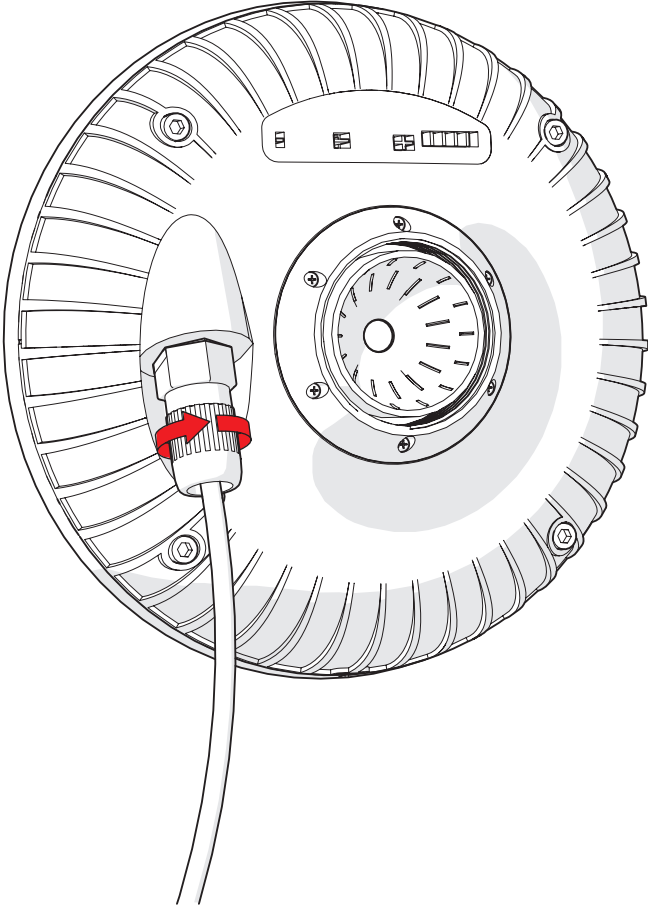


StationBox® XL

CARRIER CLASS

6

Installation Guide

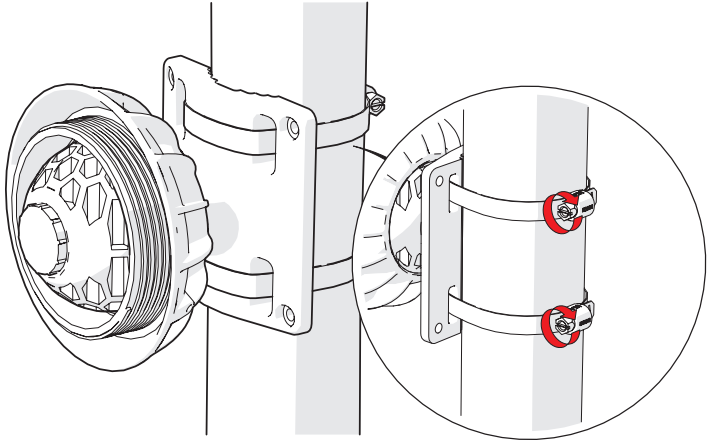


StationBox® XL

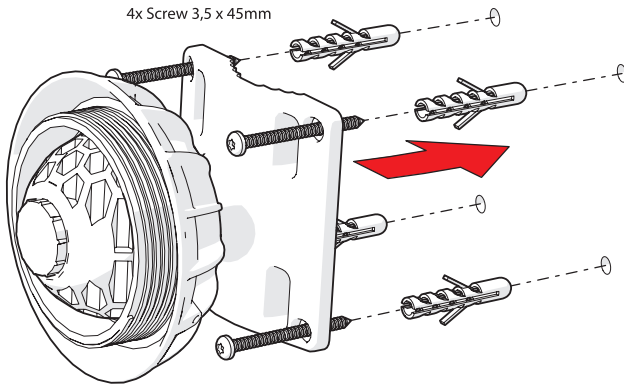
CARRIER CLASS

7

Installation on a Pole



Installation on Wall

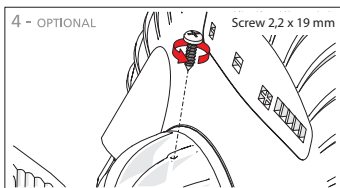
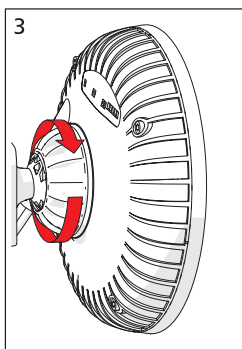
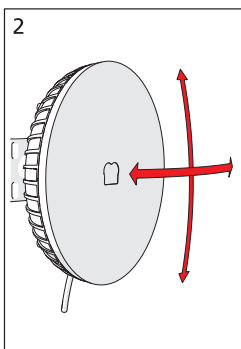
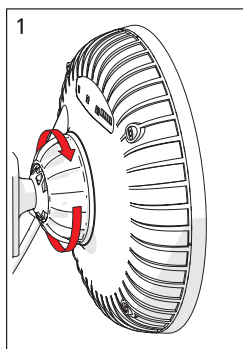
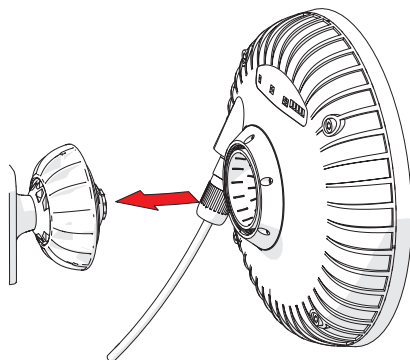


StationBox® XL

CARRIER CLASS

8

Installation Guide



Compatible Devices:

MikroTik™ RB911G-2HPnD*, RB912UAG-2HPnD*,
RB911G-5HPnD*, RB912UAG-5HPnD*

MikroTik™ RB711-2Hn, RB711-5Hn, RB711-5Hn-M,
RB711-5Hn-U, RB711-2HnD, RB711-5HnD,
RB711G-5HnD, RB711UA-2HnD,
RB711UA-5HnD, RB711GA-5HnD

MikroTik™ RB411*, RB411GL*, RB411L*,
RB411AH*, RB411AR*, RB411UAHR*

*NOT ALL RADIO CARDS MAY FIT

MikroTik™ and RouterBoard™ are trademarks of MikroTik,
Aizkraukles iela 23, Riga, LV-1006 Latvia.

RF elements® and StationBox® are trademarks
of RF elements s.r.o., Humenne, Slovakia.

All rights of trademark owners reserved.



RF elements s.r.o.
Phone: +421 2 3260 3711
info@rfelements.com
www.rfelements.com